



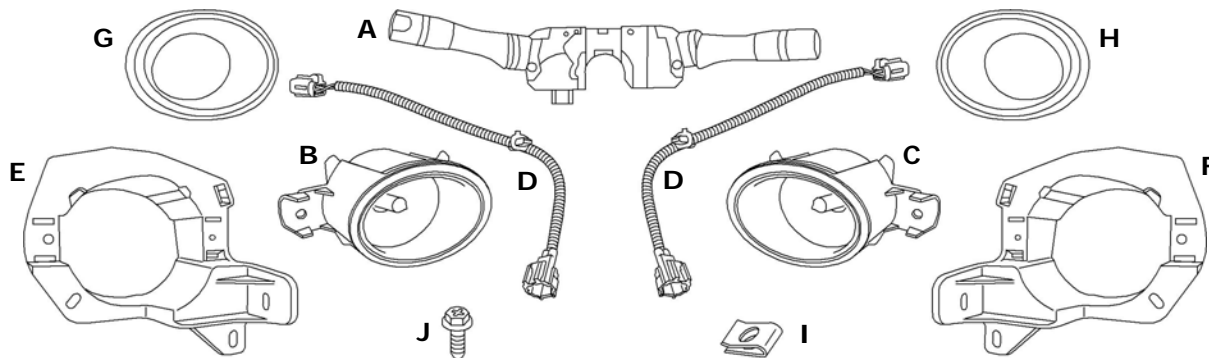
## GENUINE PARTS

### INSTALLATION INSTRUCTIONS

1. **DESCRIPTION:** Fog Lamp Kit
2. **APPLICATION:** Pathfinder (2013)
3. **PART NUMBER:** 999F1 XZ000 - Fog Lamp Kit (P42K w/ AL)  
 999F1 XZ001 - Fog Lamp Kit (P42K w/o AL)  
 999F1 XZ002 - Fog Lamp Kit (P42K w/AL & w/DTRL) CAN  
 999F1 XZ003 - Fog Lamp Kit (P42K w/AL and W/DTRL) RUS  
 999F1 XZ005 - Fog Lamp Kit (P42K w/o AL and w/RHD)

4. **KIT CONTENTS EXAMPLE (for actual contents refer to BOM section):**

Item	QTY	Description	Service Part Number
A	1	Combination Switch	25560 3KA0B (w/AL)
B	1	RH Fog Lamp Assembly	26150 9B91C
C	1	LH Fog Lamp Assembly	26155 9B91C
D	2	Fog Lamp Harness	24033 3KA0B
E	1	RH Fog Lamp Mounting Bracket	26910 3JA0A
F	1	LH Fog Lamp Mounting Bracket	26915 3JA0A
G	1	RH Fog Lamp Finisher Cover	62256 3KA0B
H	1	LH Fog Lamp Finisher Cover	62257 3KA0B
I	4	Spring nut type E	89-13606-5A
J	4	Screw-tap, hex flg type 46	14-56 00451



5. **TOOLS REQUIRED**

- Trim stick
- #2 Philips screwdriver
- Protective cloth
- Short #2 Philips screwdriver
- Short, 1/4" ratchet drive with 10mm Socket
- Electrical tape, masking tape.

6. **PRE-INSTALLATION CAUTION/NOTES**

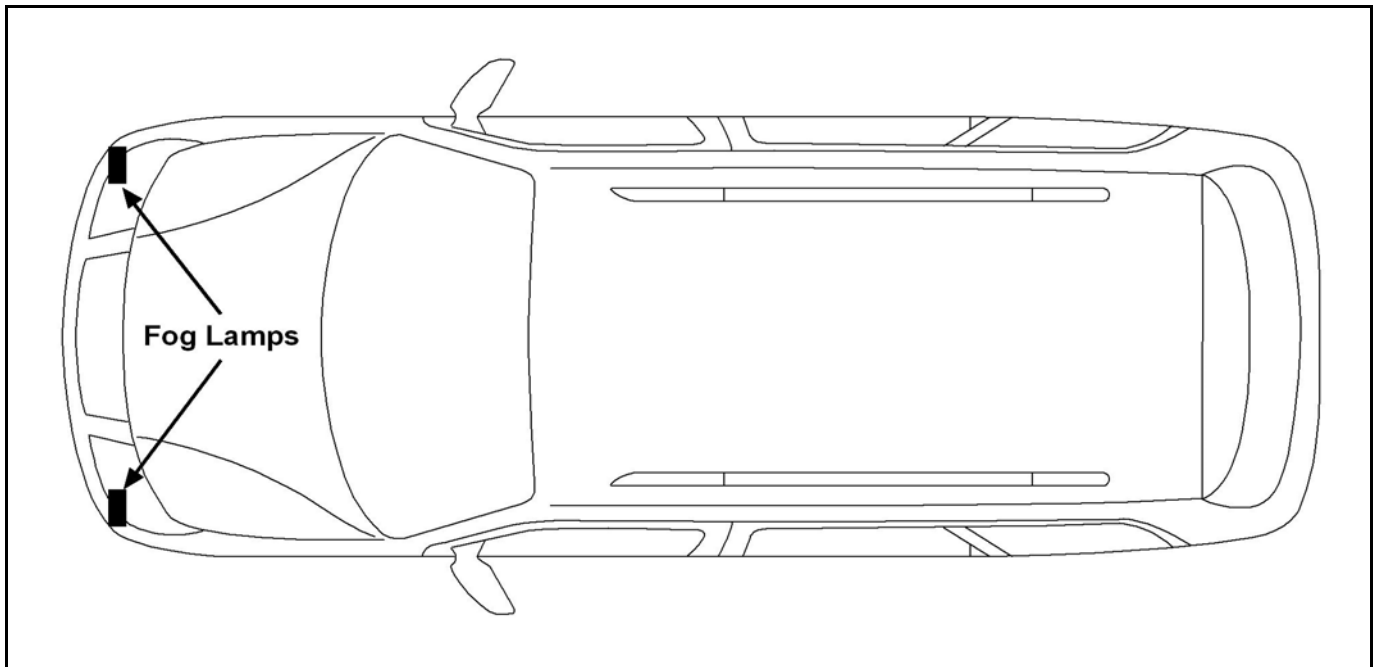
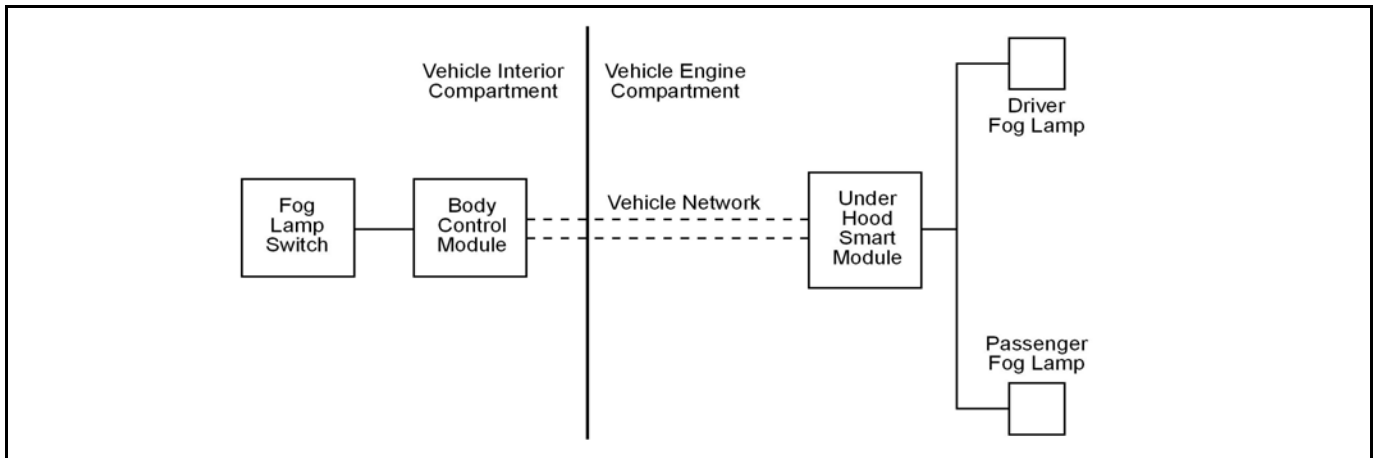
- Dealer installation recommended. Instructions may refer to Service Manual
- Installation may require special tools
- This part is to be installed within a surface temperature range of 65-100°F

**CAUTION**

- This accessory must only be installed as specified in these instructions.
- Ensure at all times that parts are securely fitted and will not compromise the safe function of vehicle systems.

# INSTALLATION INSTRUCTIONS - Fog Lamp Kit

## 7. INSTALLATION OVERVIEW



## 8. CRITICAL STEPS

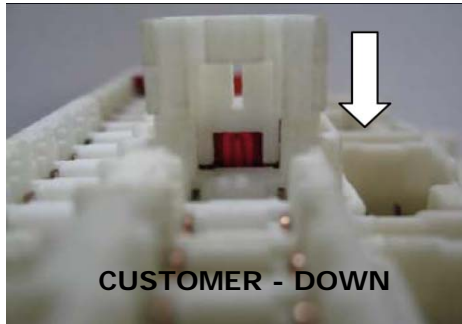
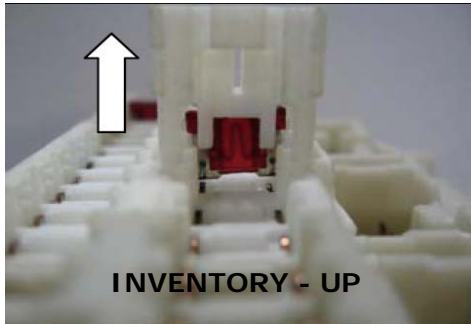
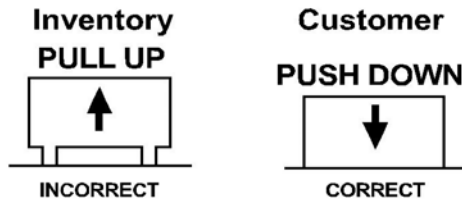
The following steps are critical and must be performed **EXACTLY** as specified to ensure proper installation:

- Location of the lights must be followed exactly as described in this instruction.
- Be sure to apply masking tape as needed in order to protect any areas that may become scratched or damaged by tools.
- Be sure to apply foam tape to any wiring components that can be damaged over time by sharp edges.
- Test the functionality of the kit before final clean up and reinstallation of interior panels.

# INSTALLATION INSTRUCTIONS - Fog Lamp Kit

## 9. VEHICLE PREPARATION:

- 1) Apply parking brake
- 2) Confirm the vehicle is no longer in the default shipping state (Extended Storage Switch Pulled Up and BCM in Transit Mode). Failure to confirm the vehicle has been removed from this state will result in the loss of normal vehicle operation. The confirmation requires two checks:
  - 2a) Locate the Extended Storage Switch in the cabin fuse block. Once located, check that it is in the "Customer" position. See below for reference.
  - 2b) Turn the ignition switch from "OFF" to "ON" position. If turn indicators illuminate for approx. 1 minute, the vehicle is in shipping mode. To exit shipping mode, return the ignition switch to "OFF" position. Simultaneously push the wiper and turn signal stalks downward and hold for 2 seconds.



NOTE: Typical vehicle condition shown here. Switch is easily identifiable by the permanent, push-pull fuse holder. Actual position on the fuse block may vary, vehicle to vehicle.

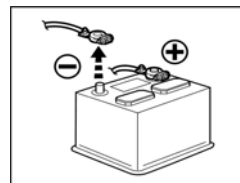
- 3) Record customer radio presets.

	1	2	3	4	5
A					
B					
C					

**NOTE: USE CAUTION WHEN REMOVING / RE-INSTALLING TRIM COMPONENTS TO AVOID DAMAGE, SCRATCHES, BREAKING OF CLIPS AND / OR INTERIOR TRIM PANELS. MOVE ALL TRIM COMPONENTS TO A PROTECTED AREA.**

## ⚠ WARNING

**Disconnect negative battery terminal before proceeding.**



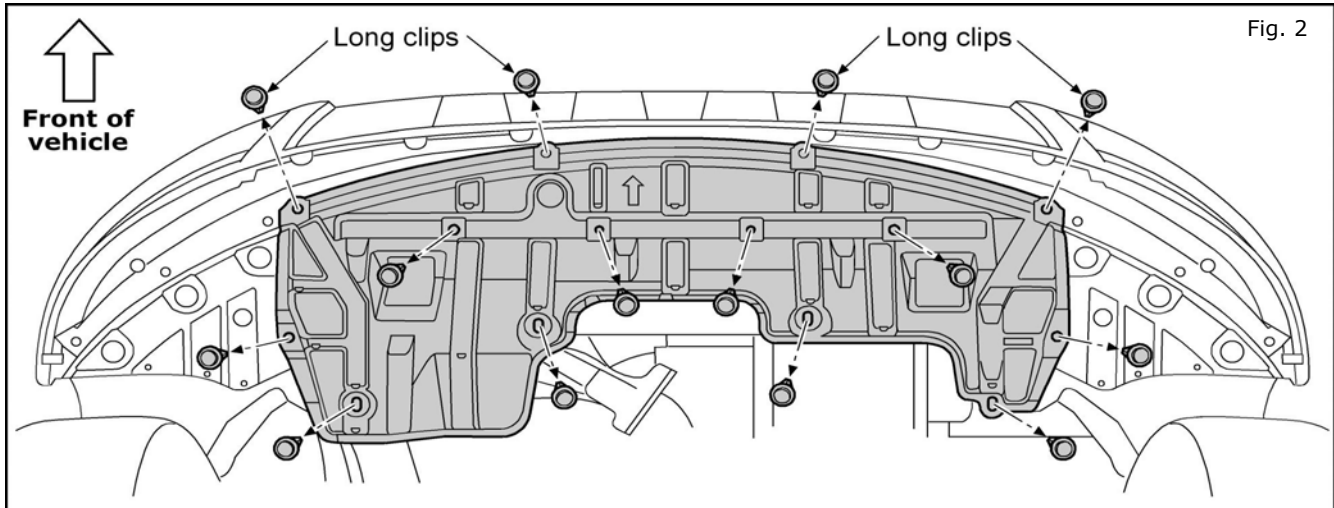
## 10. Order of Installation

1. Remove panels and trim.
2. Install Fog Lamp Assemblies
3. Route Wiring
4. Replace all panels

# INSTALLATION INSTRUCTIONS - Fog Lamp Kit

## 11. INSTALLATION

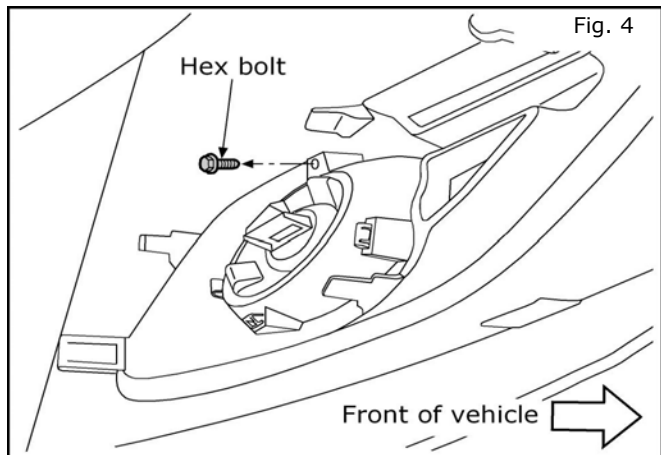
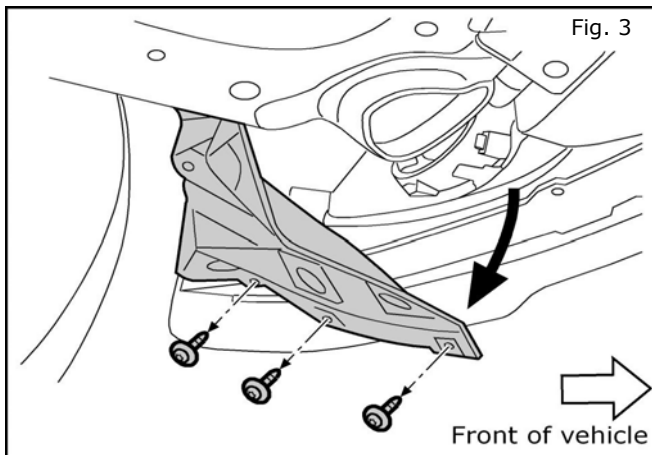
### 1. RAISE VEHICLE ON HOIST



2. Locate the lower cover panel under the front fascia. Remove four (4) long retaining clips and ten (10) short retaining clips. Remember the correct fastener locations and set all fasteners aside for later reinstallation. Remove the lower cover panel.

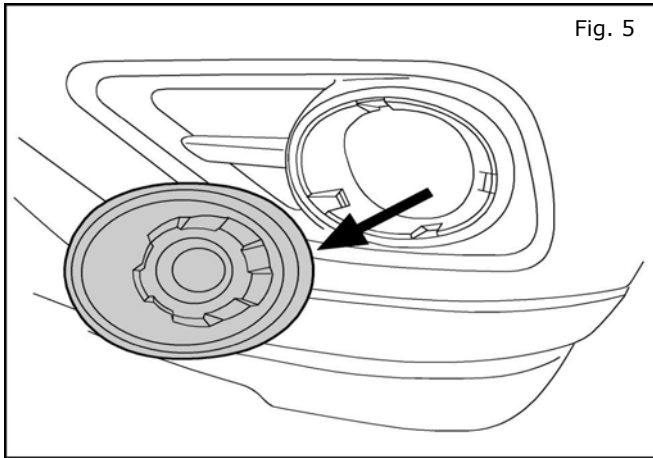
3. Remove three (3) T-20 Torx screws from the lower cover panel directly in front of the wheel. Carefully pry down on the cover panel.

4. Remove one (1) 7mm hex bolt from from the top of the finisher panel on the inside of the fascia.

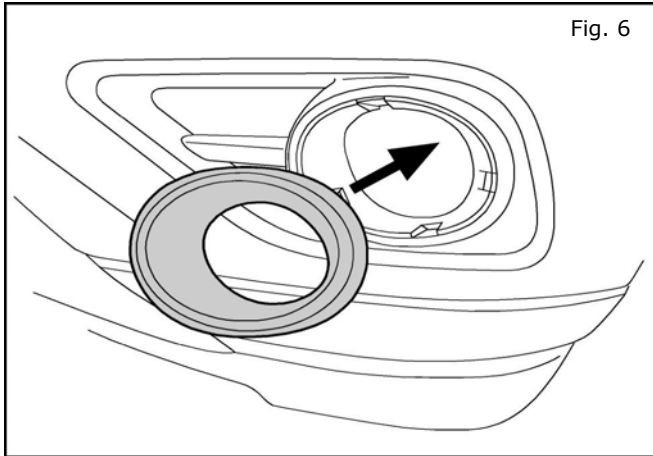


# INSTALLATION INSTRUCTIONS - Fog Lamp Kit

## 11. INSTALLATION

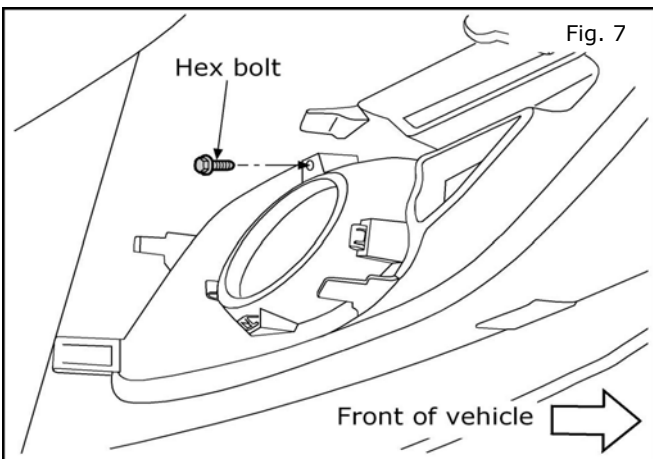


5. Carefully pry off the driver side fog lamp finisher cover by depressing the retaining tabs on the inside of the fascia. Push the finisher cover outward from behind.



6. Install the driver side fog lamp trim ring by pressing into the fascia opening from the outside until it snaps into place.

**NOTE: IF MOUNTING CLIPS ARE DAMAGED OR LOST, CONTACT DEALER FOR PART NUMBER 62228 3KA0A TO REPLACE.**

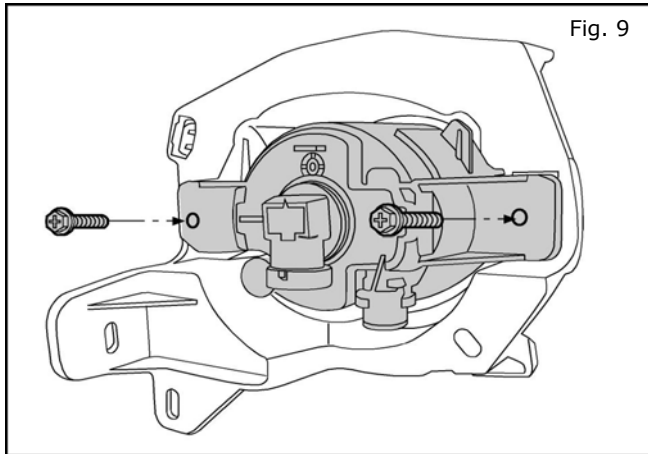


7. Reinstall one (1) 7mm hex bolt at the top of the finisher panel on the inside of the fascia.

8. Repeat steps 3 through 7 for the passenger side of the vehicle.

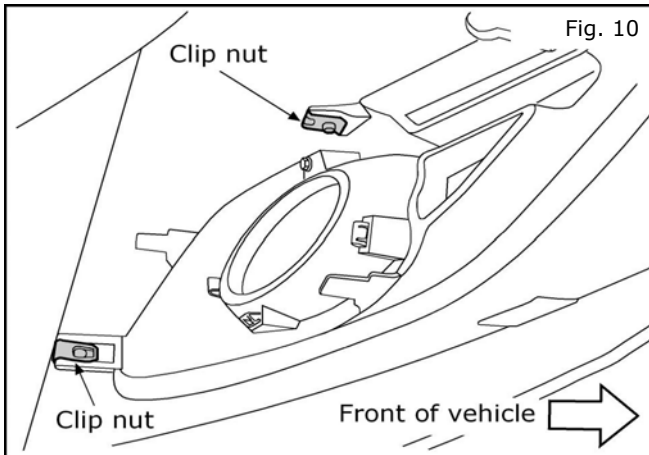
# INSTALLATION INSTRUCTIONS - Fog Lamp Kit

## 11. INSTALLATION

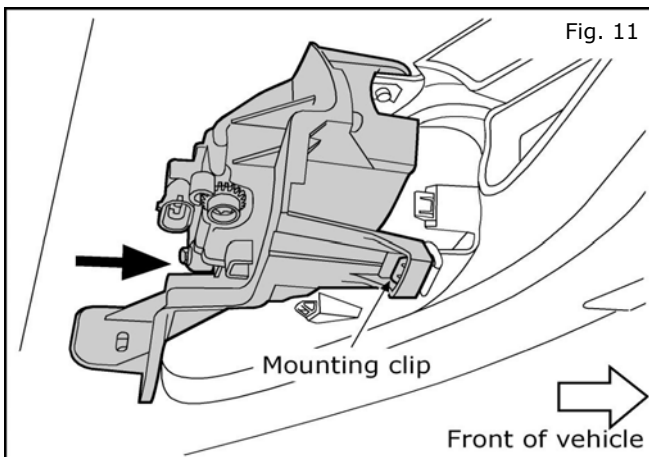


### BEGIN ON PASSENGER SIDE

9. Install the fog lamp assembly into the mounting bracket with two (2) 10mm bolts.



10. Install two (2) clip nuts on the side and top of the inside fascia opening as shown.

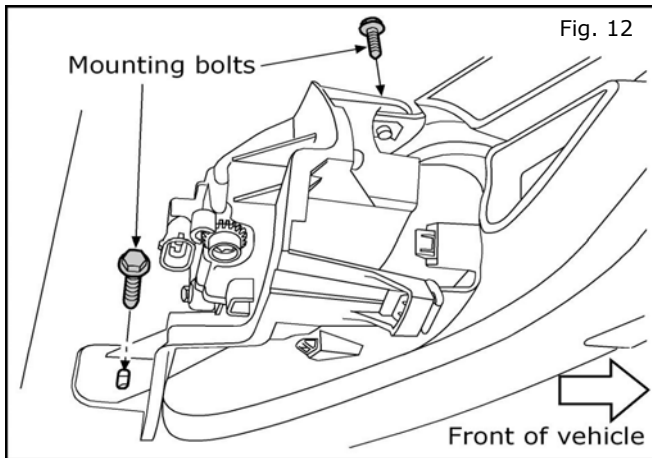


11. Place fog lamp into position from inside the fascia. Press bracket firmly in until mounting clips snap into position.

**Note: Be sure clips are fully seated.**

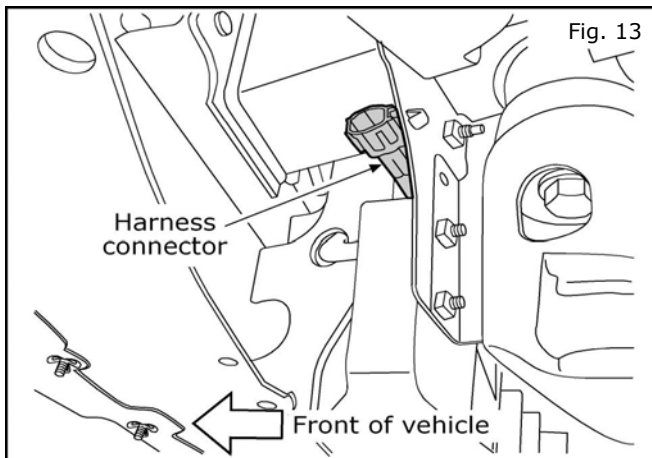
# INSTALLATION INSTRUCTIONS - Fog Lamp Kit

## 11. INSTALLATION

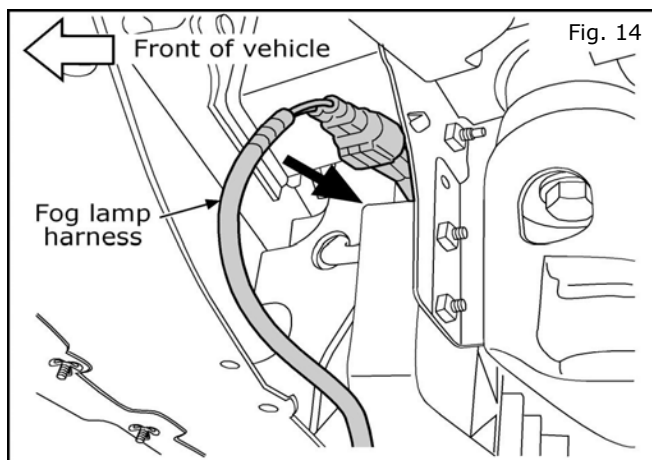


12. Finish mounting the fog lamp bracket with two (2) 10mm self-tapping bolts on the outer edge and top as shown.

**Note: A small 10mm ratcheting wrench is recommended to reach the top bolt.**



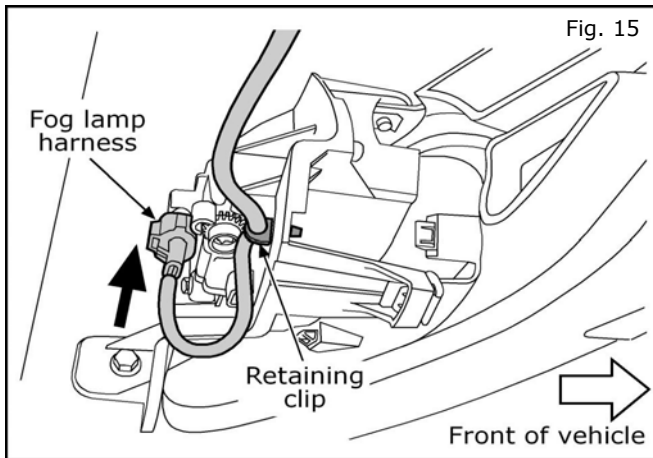
13. Locate the pre-wire harness connector inside the lower edge of the fascia.



14. Plug the fog lamp harness into the pre-wire connector as shown.

# INSTALLATION INSTRUCTIONS - Fog Lamp Kit

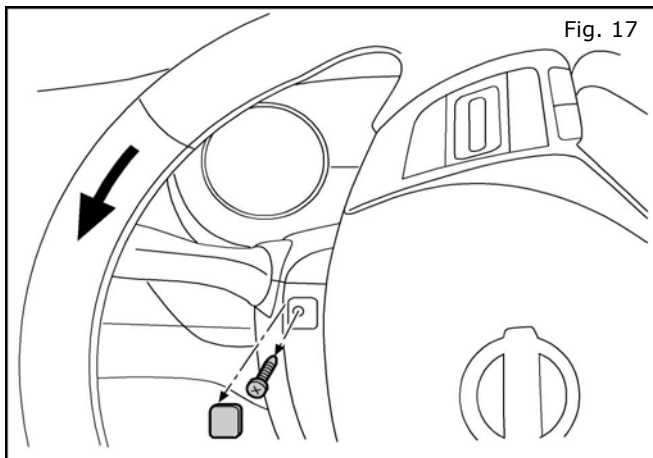
## 11. INSTALLATION



15. Plug the other end of fog lamp harness into the connector at the back of the fog lamp.

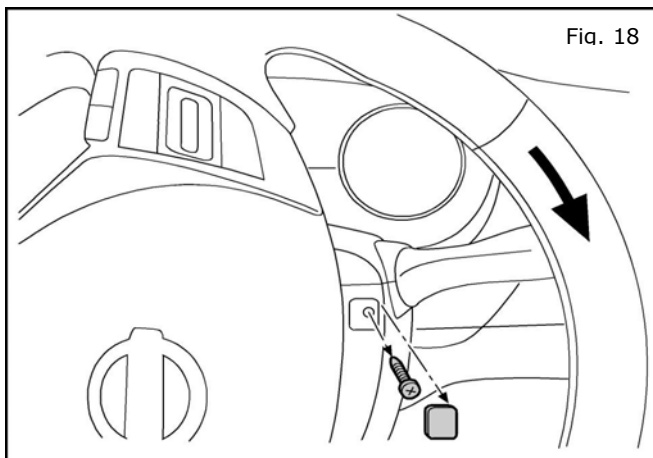
Secure the fog lamp harness to the lamp bracket with the harness retaining clip as shown.

16. Repeat steps 9 through 15 for the driver side of the vehicle.



## SWITCH INSTALLATION

17. Turn key to ACC position to unlock steering wheel. Rotate the steering wheel counter clockwise to access the left steering column cover screw. Carefully pry off the screw trim cover. Remove one (1) phillips head screw.



18. Rotate the steering wheel clockwise to access the right steering column cover screw. Carefully pry off the screw trim cover. Remove one (1) phillips head screw.



# INSTALLATION INSTRUCTIONS - Fog Lamp Kit

## 11. INSTALLATION

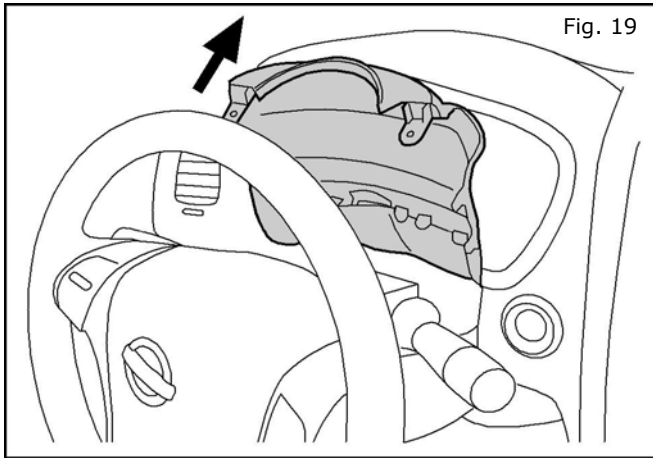


Fig. 19

19. Carefully pry the upper steering finisher off the steering column.

**Note: Upper steering finisher does not need to be removed completely.**

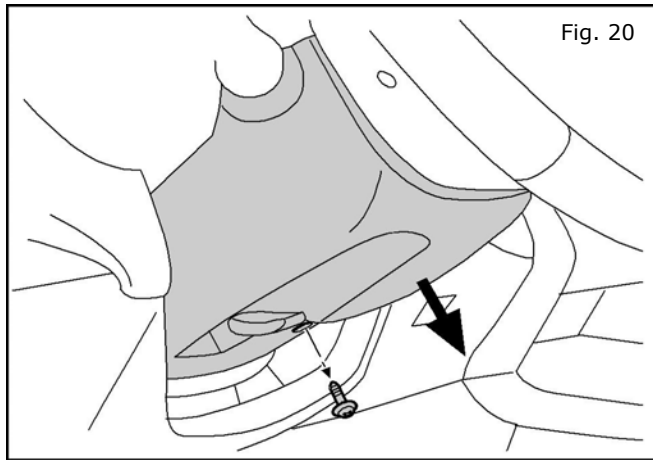


Fig. 20

20. Remove one (1) phillips screw from the lower steering finisher. Carefully pry the lower steering finisher off the steering column.

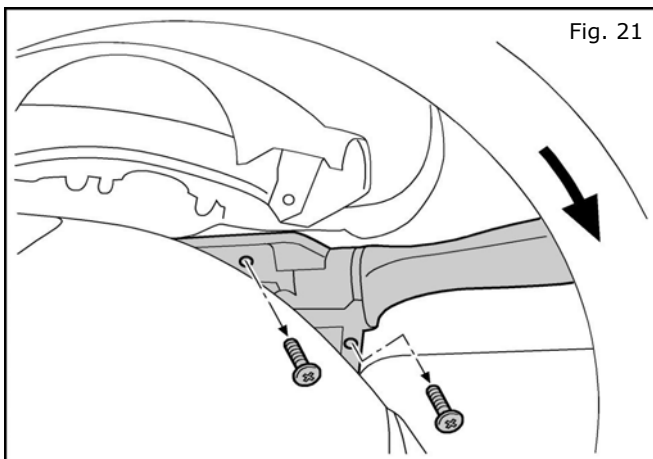
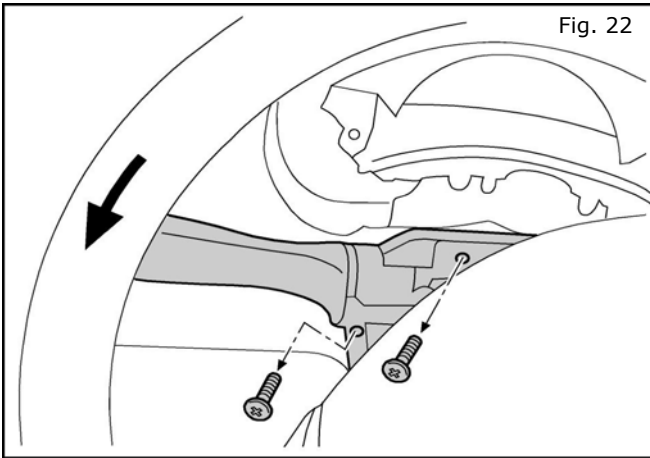


Fig. 21

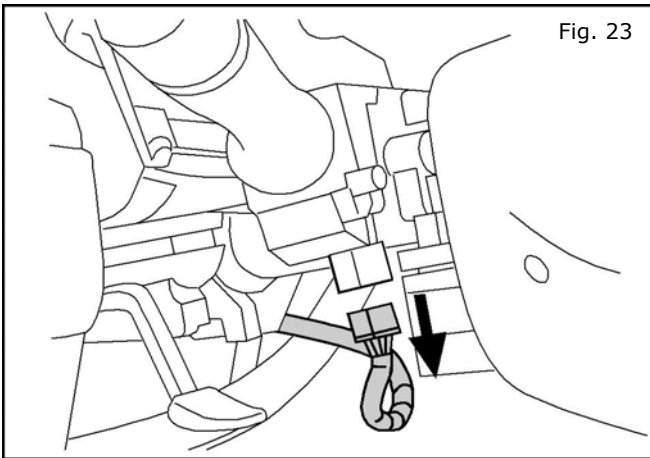
21. With the steering wheel turned to the right, use a phillips head screwdriver to remove two (2) mounting screws from the combination switch.

# INSTALLATION INSTRUCTIONS - Fog Lamp Kit

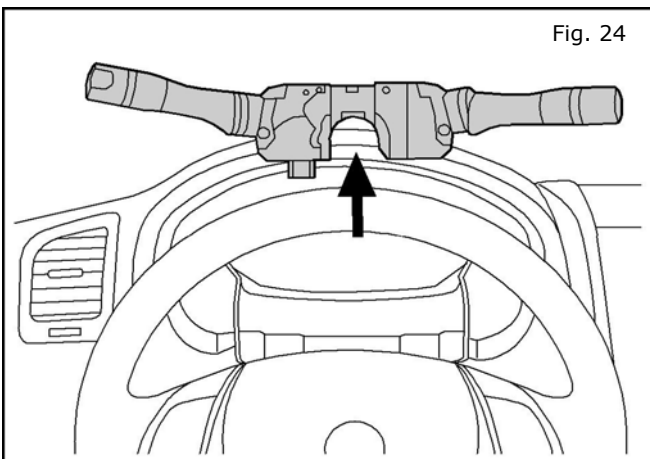
## 11. INSTALLATION



22. Rotate the steering wheel counter clockwise and remove two (2) combination switch mounting screws on the left.



23. Locate the combination switch connector plug on the underside of the steering column and disconnect.

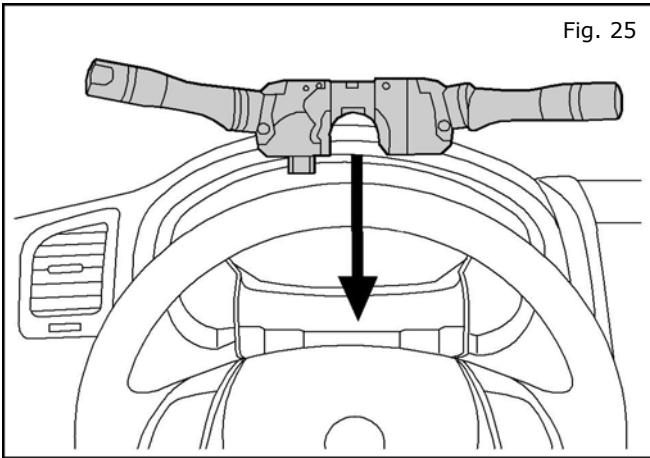


24. Remove the combination switch by lifting up and out of steering column.

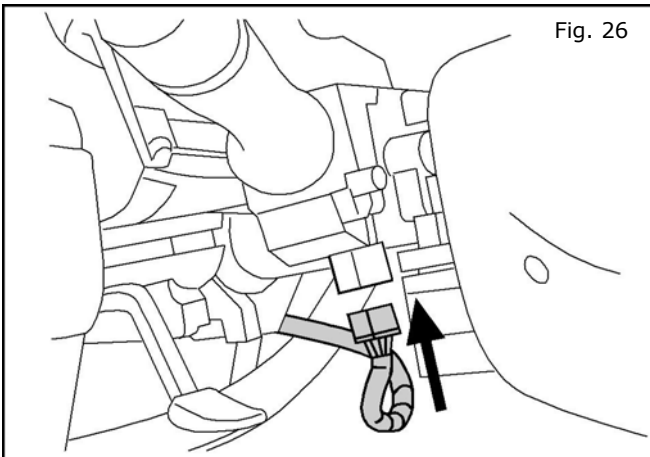
**Discard the combination switch assembly.**

# INSTALLATION INSTRUCTIONS - Fog Lamp Kit

## 11. INSTALLATION



25. **Install** the new combination switch supplied with the kit using the original mounting screws.



26. **Reconnect** the wiring plug to the new combination switch.

**Note: A functionality test is recommended at this time. Reconnect the negative battery cable. Refer to Check Out procedure on page 12.**

27. **Reinstall** the lower steering finisher (see Fig. 20).

28. **Reinstall** the upper steering finisher (see Fig. 17 through 19).

29. **Reinstall** both lower cover panels directly in front of the wheels (see Fig. 3).

30. **Reinstall** the lower cover panel under the front fascia (see Fig. 2).

**Note: Be sure to check all wiring. Make sure all trim is in place.**

## INSTALLATION INSTRUCTIONS - Fog Lamp Kit

### 12. CHECK OUT

Inspect the vehicle for unfinished work.

- 1) Turn ignition switch ON.
- 2) Turn headlamp and fog lamp switches ON.
- 3) Verify headlamps and fog lamps are illuminated.
- 4) Turn headlamp switch OFF (leaving fog lamp switch ON).
- 5) Verify both headlamp and fog lamps turn off.
- 6) Verify turn signal, wiper, washer and high beam functionality.

# INSTALLATION INSTRUCTIONS - Fog Lamp Kit

## 16. BILL OF MATERIALS

### Fog Lamp Kit (P42K W/Auto Lamps) 999F1 XZ000

	Parts Contained in Bag Labelled 'Installation Kit'.	Qty	Part Number
1	RH Fog Lamp Assembly	1	26150 9B91C
2	LH Fog Lamp Assembly	1	26155 9B91C
3	Combination Switch	1	25560 3KA0B
4	Fog Lamp Jumper Harness	2	24033 3KA0B
5	RH Fog Lamp Mounting Bracket	1	26910 3JA0A
6	LH Fog Lamp Mounting Bracket	1	26915 3JA0A
7	RH Fog Lamp Finisher Cover	1	62256 3KA0B
8	LH Fog Lamp Finisher Cover	1	62257 3KA0B
9	Screws	4	14-56 00451
10	Bolts	4	81-46616-2G
11	U-Shaped Nuts	4	89-13606-5A
12	Screws	2	63849 3KA0A
13	I/I Replacement Template	1	999V2 AW000
14	INSTALLATION INSTRUCTIONS (WEB)	0	999F1 XZ000 II

### Fog Lamp Kit (P42K W/O Auto Lamps) 999F1 XZ001

	Parts Contained in Bag Labelled 'Installation Kit'.	Qty	Part Number
1	RH Fog Lamp Assembly	1	26150 9B91C
2	LH Fog Lamp Assembly	1	26155 9B91C
3	Combination Switch	1	25560 3KA0D
4	Fog Lamp Jumper Harness	2	24033 3KA0B
5	RH Fog Lamp Mounting Bracket	1	26910 3JA0A
6	LH Fog Lamp Mounting Bracket	1	26915 3JA0A
7	RH Fog Lamp Finisher Cover	1	62256 3KA0B
8	LH Fog Lamp Finisher Cover	1	62257 3KA0B
9	Screws	4	14-56 00451
10	Bolts	4	81-46616-2G
11	U-Shaped Nuts	4	89-13606-5A
12	Screws	2	63849 3KA0A
13	I/I Replacement Template	1	999V2 AW000
14	INSTALLATION INSTRUCTIONS (WEB)	0	999F1 XZ000 II

# INSTALLATION INSTRUCTIONS - Fog Lamp Kit

## 16. BILL OF MATERIALS

### Fog Lamp Kit (P42K W/AL & W/DTRL) CAN 999F1 XZ002

	Parts Contained in Bag Labelled 'Installation Kit'.	Qty	Part Number
1	RH Fog Lamp Assembly	1	26150 1HA0A
2	LH Fog Lamp Assembly	1	26155 1HA0A
3	Combination Switch	1	25560 3KA0B
4	Fog Lamp Jumper Harness	2	24033 3KL1A
5	RH Fog Lamp Mounting Bracket	1	26910 3JA0A
6	LH Fog Lamp Mounting Bracket	1	26915 3JA0A
7	RH Fog Lamp Finisher Cover	1	62256 3KA0B
8	LH Fog Lamp Finisher Cover	1	62257 3KA0B
9	Screws	4	14-56 00451
10	Bolts	4	81-46616-2G
11	U-Shaped Nuts	4	89-13606-5A
12	Screws	2	63849 3KA0A
13	I/I Replacement Template	1	999V2 AW000
14	INSTALLATION INSTRUCTIONS (WEB)	0	999F1 XZ000 II

### Fog Lamp Kit (P42K W/AL and W/DTRL) RUS 999F1 XZ003

	Parts Contained in Bag Labelled 'Installation Kit'.	Qty	Part Number
1	RH Fog Lamp Assembly	1	26150 9B91C
2	LH Fog Lamp Assembly	1	26155 9B91C
3	Combination Switch	1	25560 3KA7B
4	Fog Lamp Jumper Harness	2	24033 3KA0B
5	RH Fog Lamp Mounting Bracket	1	26910 3JA0A
6	LH Fog Lamp Mounting Bracket	1	26915 3JA0A
7	RH Fog Lamp Finisher Cover	1	62256 3KA0B
8	LH Fog Lamp Finisher Cover	1	62257 3KA0B
9	Screws	4	14-56 00451
10	Bolts	4	81-46616-2G
11	U-Shaped Nuts	4	89-13606-5A
12	Screws	2	63849 3KA0A
13	I/I Replacement Template	1	999V2 AW000
14	INSTALLATION INSTRUCTIONS (WEB)	0	999F1 XZ000 II

# INSTALLATION INSTRUCTIONS - Fog Lamp Kit

## 16. BILL OF MATERIALS

### Fog Lamp Kit (P42K W/O AL and W/RHD) 999F1 XZ005

	Parts Contained in Bag Labelled 'Installation Kit'.	Qty	Part Number
1	RH Fog Lamp Assembly	1	26150 9B91C
2	LH Fog Lamp Assembly	1	26155 9B91C
3	Combination Switch	1	25560 3KA7B
4	Fog Lamp Jumper Harness	2	24033 3KA0B
5	RH Fog Lamp Mounting Bracket	1	26910 3JA0A
6	LH Fog Lamp Mounting Bracket	1	26915 3JA0A
7	RH Fog Lamp Finisher Cover	1	62256 3KA0B
8	LH Fog Lamp Finisher Cover	1	62257 3KA0B
9	Screws	4	14-56 00451
10	Bolts	4	81-46616-2G
11	U-Shaped Nuts	4	89-13606-5A
12	Screws	2	63849 3KA0A
13	I/I Replacement Template	1	999V2 AW000
14	INSTALLATION INSTRUCTIONS (WEB)	0	999F1 XZ000 II

# INSTALLATION INSTRUCTIONS - Fog Lamp Kit

## 17. MECHANIZATION

